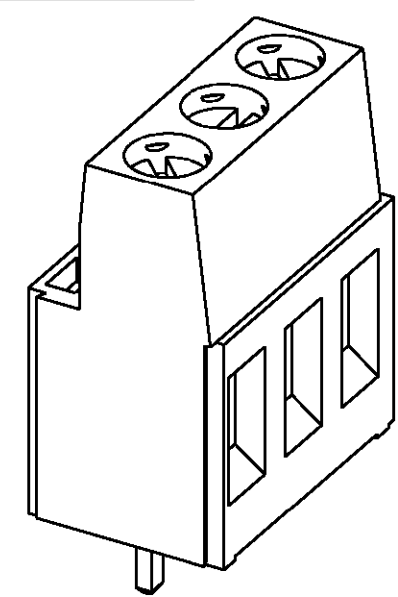
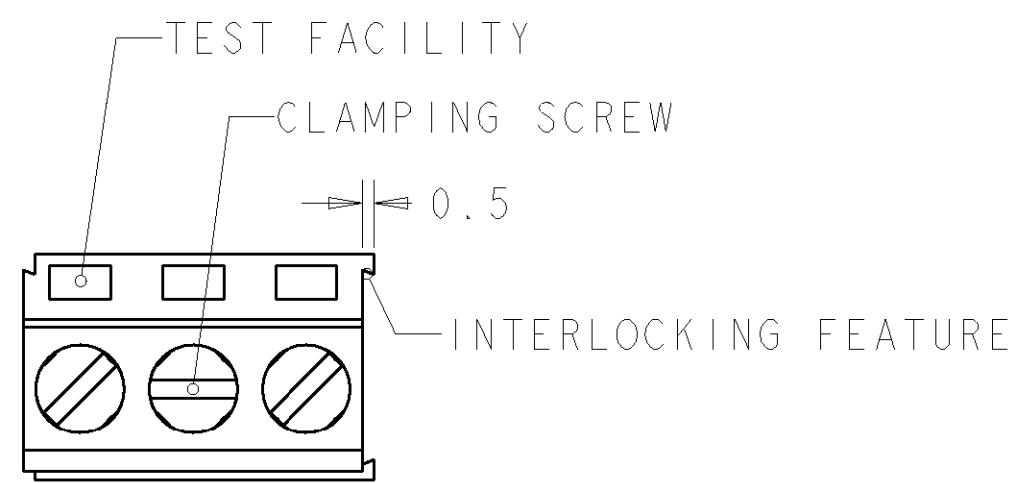


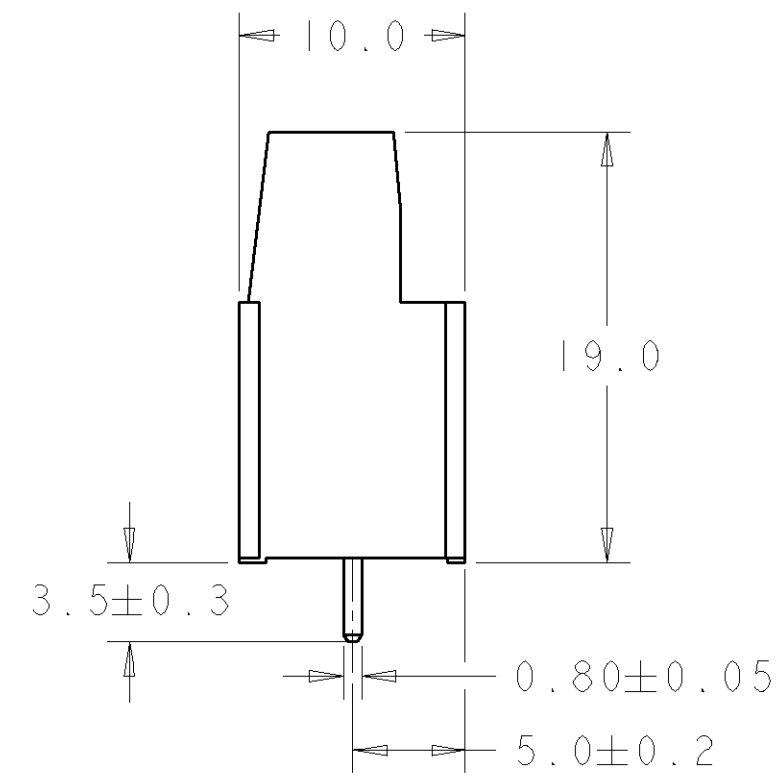
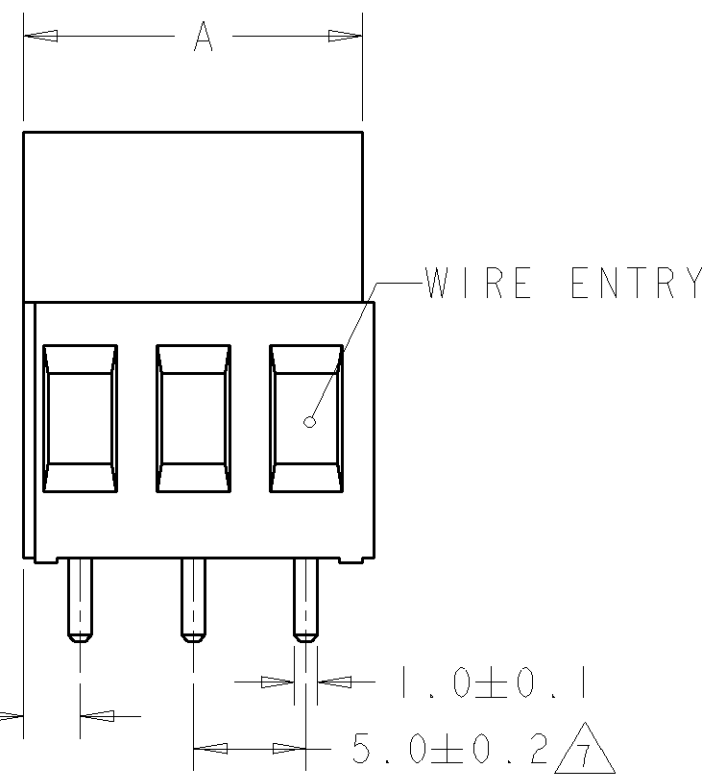
THIS DRAWING IS UNPUBLISHED. RELEASED FOR PUBLICATION 20
 © COPYRIGHT 20 BY TYCO ELECTRONICS CORPORATION. ALL RIGHTS RESERVED.

LOC	DIST	REVISIONS			
P	LTR	DESCRIPTION	DATE	DWN	APVD
FT	0				
		D	REVISED PER 0G3B-0119-01	23AUG2001	EZ DB

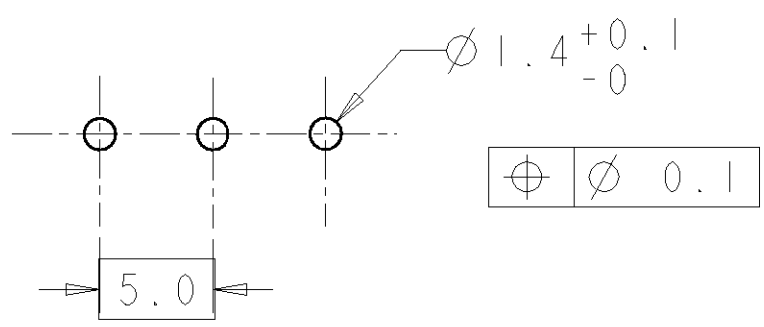


282856-3 AS SHOWN

DIM. A	N° OF POS.	PART NUMBER
125	25	2-282856-5
120	24	2-282856-4
115	23	2-282856-3
110	22	2-282856-2
105	21	2-282856-1
100	20	2-282856-0
95	19	1-282856-9
90	18	1-282856-8
85	17	1-282856-7
80	16	1-282856-6
75	15	1-282856-5
70	14	1-282856-4
65	13	1-282856-3
60	12	1-282856-2
55	11	1-282856-1
50	10	1-282856-0
45	9	282856-9
40	8	282856-8
35	7	282856-7
30	6	282856-6
25	5	282856-5
20	4	282856-4
15	3	282856-3
10	2	282856-2



RECOMMENDED PC BOARD LAYOUT



THIS DRAWING IS A CONTROLLED DOCUMENT FOR TYCO ELECTRONICS CORPORATION
 IT IS SUBJECT TO CHANGE AND THE CONTROLLING ENGINEERING ORGANIZATION
 SHOULD BE CONTACTED FOR THE LATEST REVISION.

DIMENSIONS:	TOLERANCES UNLESS OTHERWISE SPECIFIED:
mm	
	0 PLC ±.3
	1 PLC ±.3
	2 PLC ±.25
	3 PLC ±.
	4 PLC ±.
	ANGLES ±.2
MATERIAL	FINISH

DWN	23AUG2001
CHK	E. ZANOLINI
APVD	23AUG2001
	D. BIEVENOUR
	D. BIEVENOUR
PRODUCT SPEC	108-20166
APPLICATION SPEC	114-20079
WEIGHT	-
CUSTOMER DRAWING	

BUCHANAN Tyco Electronics
 Harrisburg, PA 17105-3608

NAME: TERMINAL BLOCK PCB MOUNT
 SIDE ENTRY WIRE, STACKING
 W/INTERLOCK, 5mm PITCH

SIZE	CAGE CODE	DRAWING NO	RESTRICTED TO
A3	00779	C=282856	-

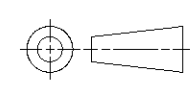
SCALE 3:1 SHEET 1 OF 2 REV D

THIS DRAWING IS UNPUBLISHED. RELEASED FOR PUBLICATION 20
 © COPYRIGHT 20 BY TYCO ELECTRONICS CORPORATION. ALL RIGHTS RESERVED.

LOC	DIST	REVISIONS			
P	LTR	DESCRIPTION	DATE	DWN	APVD
		SEE SHEET 1	-	-	-

- 1 MATERIALS AND FINISH
 HOUSING: PA 6-6, UL 94-V0, COLOR GREEN.
 CLAMP: BRASS, NICKEL PLATED.
 TERMINAL: BRASS, TIN PLATED.
 CLAMPING SCREW: M3, BRASS, NICKEL PLATED.
- 2 SUITABLE FOR 1,6-2,4mm PC BOARD THICKNESS.
- 3 END-TO-END STACKABLE W/INTERLOCK WITHOUT LOSS OF CENTERLINE SPACING.
- 4 WIRE SIZE RANGE
 SOLID WIRE: 0,03-4mm² (11AWG).
 STRANDED WIRE: 0,03-2,5mm² (13AWG).
- 5 RECOGNIZED UNDER THE COMPONENT PROGRAM OF UNDERWRITERS LABORATORIES INC. FILE N° E60677.
- 6 IMO CERTIFICATE WITH SURVEILLANCE IN CONFORMITY WITH IEC 998-1/998-2-1.

7 NOT CUMULATIVE TOLERANCE.

<small>THIS DRAWING IS A CONTROLLED DOCUMENT FOR TYCO ELECTRONICS CORPORATION IT IS SUBJECT TO CHANGE AND THE CONTROLLING ENGINEERING ORGANIZATION SHOULD BE CONTACTED FOR THE LATEST REVISION.</small>		DWN 23AUG2001 E. ZANOLINI		BUCHANAN Tyco Electronics Harrisburg, PA 17105-3608	
DIMENSIONS: mm		TOLERANCES UNLESS OTHERWISE SPECIFIED: 0 PLC ±- 1 PLC ±.2 2 PLC ±.15 3 PLC ±- 4 PLC ±- ANGLES ±2		CHK 23AUG2001 D. BIEVENOUR APVD 23AUG2001 D. BIEVENOUR	
		PRODUCT SPEC - APPLICATION SPEC - WEIGHT -		NAME TERMINAL BLOCK PCB MOUNT SIDE ENTRY WIRE, STACKING W/INTERLOCK, 5mm PITCH	
MATERIAL - FINISH -		CUSTOMER DRAWING		SIZE A3 CAGE CODE 00779 DRAWING NO C-282856 RESTRICTED TO -	
				SCALE 3:1 SHEET 2 OF 2 REV D	